



Pump setting: This function, which is only present if the Gas-Pro has an internal pump, allows authorised users to turn the pump on or off.



Sounder volume: This function allows authorised users to change the sounder volume between 2 levels.

IN USE

+ve Safety™

+ve Safety™ (Positive Safety) provides positive confirmation of detector status prior to deployment in the field or on return from site. The front mount tri-colour LED gives the Safety Manager or Supervisor unrivalled visibility of the status of the Operator's detector.



Charging

- To charge, insert the charger connected into the socket at the back of the Gas-Pro.
- The display will show the battery filling and RED LED's will flash red until the battery is full, when they will flash green.

Gas Testing

Crowcon recommends regular gas tests (also known as bump tests) to confirm sensor operation. A number of flexible and simple solutions are available:

Q-Test	Quick and simple in-filed gas test and calibration solution.
I-Test	Intelligent wall or desk mount, powered data management solution.
S-Test	Service and maintenance solution for up to 5 detectors.

If configured to do so, test and calibration can also be completed manually by using the non-pumped flow plate and following prompts on the screen. If a test should fail or calibration is due and the Gas-Pro has been manually zeroed in the last 15 minutes a calibration can also be completed.

See the Gas-Pro User and Operator manual for details.

Safety Information

- Gas-Pro is a hazardous area certified gas detector and as such must be operated and maintained in strict accordance with the instructions, warnings and label information.
- Read and understand all instructions in the operation section of "Gas-Pro User & Operator Manual", P/N M07995 prior to use.
- The Gas-Pro re-chargeable battery must only be charged in non-hazardous (safe) areas.
- Gas-Pro is certified for use in ambient temperatures in the range -20°C to +55°C (-4 to 131°F).

Certification Information

IECEX: Ex db ia IIC T4 Gb Tamb -20°C to +55°C
IECEX ULD 11.0004X

ATEX:  II 2 G Ex db ia IIC T4 Gb Tamb -20°C to +55°C
DEMKO 11 ATEX 1031772X

UL: Gas detector use in hazardous locations Class 1 Division 1, Groups A, B, C and D only as to intrinsic safety.

Contact Crowcon:

UK: 172 Brook Drive, Milton Park, Abingdon, Oxfordshire OX14 4SD
Tel: +44 (0) 1235 557700 **Email:** sales@crowcon.com

US: 1455 Jamike Ave, Suite 100, Erlanger, KY 41018
Tel: +1 859 957 1039 **Email:** salesusa@crowcon.com

SG: Block 194 Pandan Loop, #06-20 Pantech Industrial Complex, Singapore, 128383
Tel: +65 6745 2936 **Email:** sales@crowcon.com.sg

CN: Unit 316, Area 1, Tower B, Chuangxin Building, 12 Hongda North Road, Beijing Economic & Technological Development Area, Beijing, China 100176
Tel: +86 10 6787 0335 **Email:** saleschina@crowcon.com

www.crowcon.com

Gas-Pro

Multi-Gas Monitor

Quick Start Guide



SET-UP

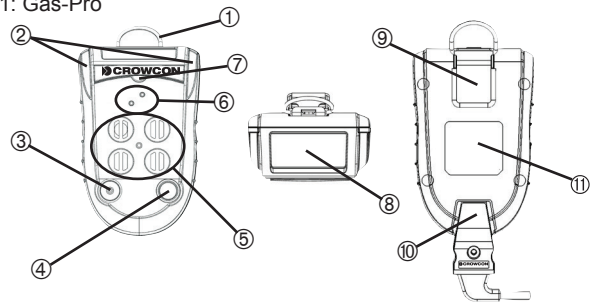
Prior to use

Before use, the Gas-Pro should always be checked for any signs of physical damage.

Read and understand the User and Operator manual prior to use.

Gas-Pro orientation

Figure 1: Gas-Pro

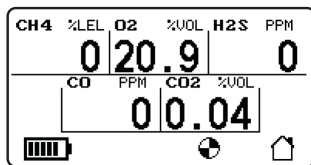


- ① D-ring ④ Operator button ⑦ +ve Safety™ indicator ⑩ Charging cable
- ② Alarm bars ⑤ Sensor apertures ⑧ Dual colour LCD display ⑪ Certification label
- ③ Sounder ⑥ Pump inlet/outlet ⑨ Alligator clip

DISPLAY

Home Screen

- Gas-Pro simultaneously displays up to 5 gases.
- The dual colour backlight aids recognition of alarm events.
- The home icon will invert to show normal operation.
- The backlight is green and changes to red during an alarm highlighting the gas in alarm.



2

OPERATION

Switching On/Off

- In clean air turn on the Gas-Pro by holding down the operator button for 3 audible blips. The Gas-Pro will warm up, going through a series of automatic processes.
- To turn off, press and hold the operator button. During the 4 second countdown hold the button down until the countdown has finished.

Quick View

- A momentary press of the operator button allows the user to see the gas type and unit, battery level, user and +ve Safety™ status.

Alarms

- Gas-Pro offers audible, visual and vibrate alarms as standard.
- Each gas has 2 instantaneous alarms and toxics also have TWA alarms. The operator has the option to Resume TWA alarm monitoring after powering-off (software version 1V25 and higher).
- When in alarm the display backlight will change from green to red and highlight the gas in alarm.
- When the Gas-Pro warns of a low battery, the sounder will emit an audible double blip every 5 seconds and the +ve Safety™ LED will go red. This means the battery has at least 30 minutes of battery life remaining. After 30 minutes the Gas-Pro will enter full alarm state and the battery icon will flash empty as shut down is imminent.

Backlight

- The backlight is configurable but set as standard to come on at the press of the operator button or during alarm.

Pump

Please refer to the **Safety Information** in section 2.4.2 of the Gas-Pro User & Operator Manual before using pumped/sampling mode.

- If the internal pump option has been chosen, the pump is activated by attaching the pumped flow plate.
- Ensure the gasket is clean and undamaged prior to placement.

3

USER MENU

USER MENU

- Access the user menu by double clicking the operator button, then scroll through the menu using single clicks. Once the correct function is highlighted, double click to choose.

Zero

- During start-up the operator has the option to perform an autozero, or leave the countdown if an autozero is not required/possible.
- A manual zero can be performed at any time following start up and is needed less than 15 minutes prior to running a manual calibration.

Time Weighted Average (TWA)

- This function allows the 8 hour TWA to be reviewed.

Pre-Entry Check (PEC)

- This function is intended for sampling air of unknown quality before gaining access to it (e.g. going under ground through a manhole cover) thereby avoiding unnecessary exposure.

Peak Review

- This function allows the highest level of each gas detected to be reviewed during the last 8 hours, 12 hours or since turned on.

Flammable Correction factor. Only available for pellistors.

- This option selects the flammable gas correction factor to be used for flammable (pellistor) sensors with respect to the base calibration of methane.

Settings

User setting: Up to 5 different users can be loaded into Gas-Pro using the Portables-Pro PC application.

4